

DPSS-532-N GREEN LASERS: 532 nm, 3000~5000 mW



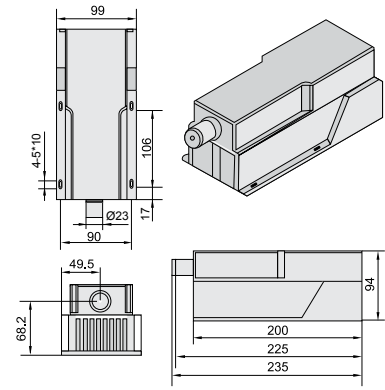
- Collimated straight beam
- Easy use & maintenance free
- Longlife operation
- High efficiency
- High reliability

SPECIFICATIONS

Wavelength	532 nm
Spatial Mode	near TEM ₀₀
Output Power	>3000, 3500, 4000, ..., 5000 mW
Operation Mode	CW or Modulation
Modulation	Analog or TTL upto 30 kHz
M ² factor	3.0~5.0
Beam divergence, full angle	<1.5 mrad
Pointing Stability (mrad)	<0.05 mrad
Beam diameter at the aperture	~3.0 mm
Beam height from base plate	68.2 mm
Polarization ratio	>100:1
Power Stability (rms, over 4 hours)	<10%
Temperature Stabilizing	TEC
Warm Up Time	<10 minutes
Optimum Operating Temperature	10~35 °C
Storage Temperature	10~50 °C
Expected Lifetime	10,000 hrs
Laser Head Dimensions	99(W) × 235(L) × 94(H) mm
POWER SUPPLY	
Lab type EO-PS-F	238(W) × 146(L) × 94(H) mm 85~265 V 50/60 Hz input

ORDERING INFORMATION

Catalogue number	Description
DPSS-532-N3000	3000 mW
DPSS-532-N4000	4000 mW
DPSS-532-N5000	5000 mW
EO-PS-F	Lab type power supply



DPSS-532-N

POWER SUPPLIES

- Lab type power supply **EO-PS-F**

RELATED PRODUCTS

Laser Safety Eyewear
See page 1.16.

DPSS LASERS